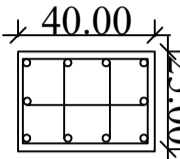
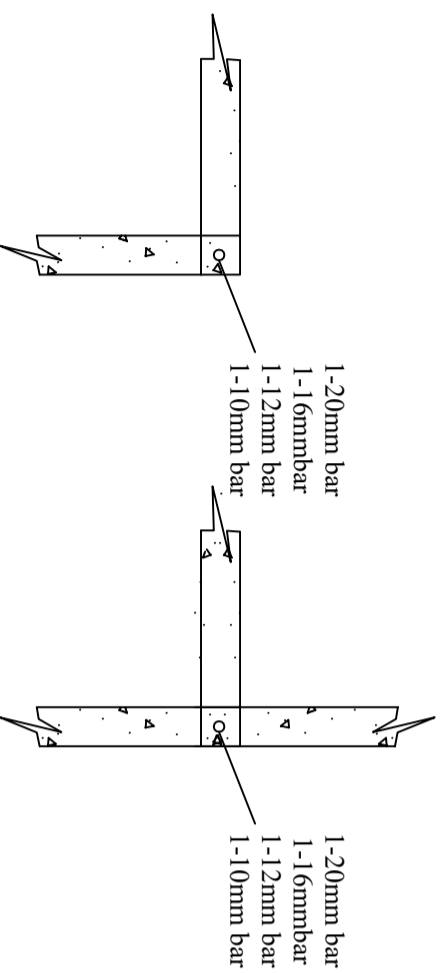
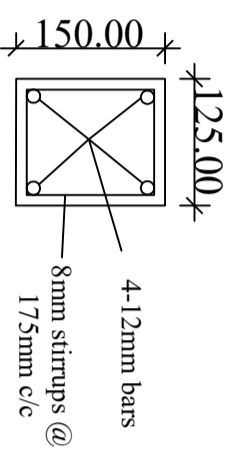


# Column Reinforcement Detail.

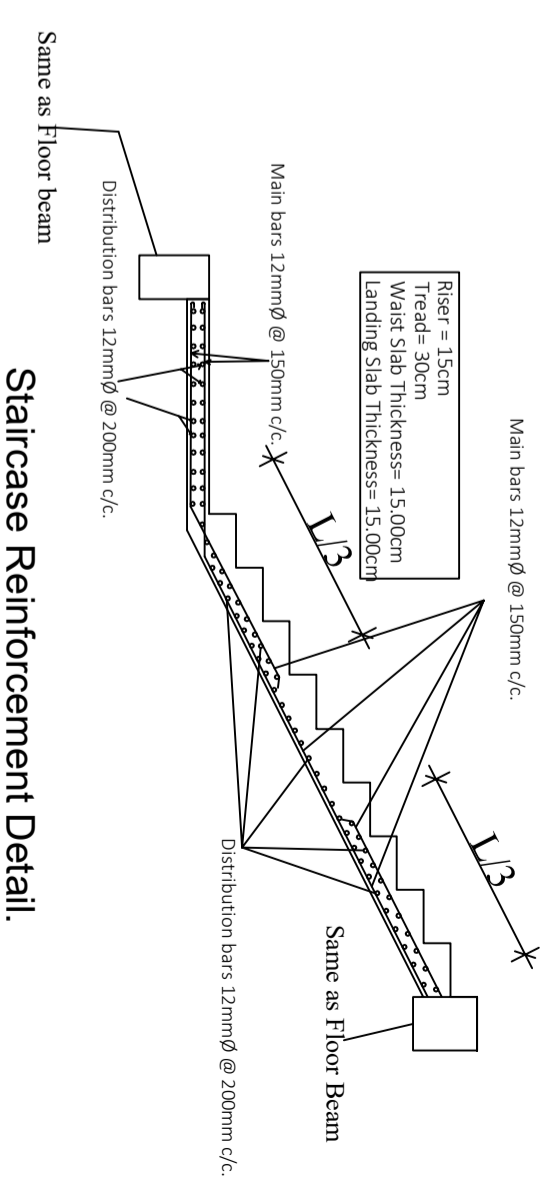
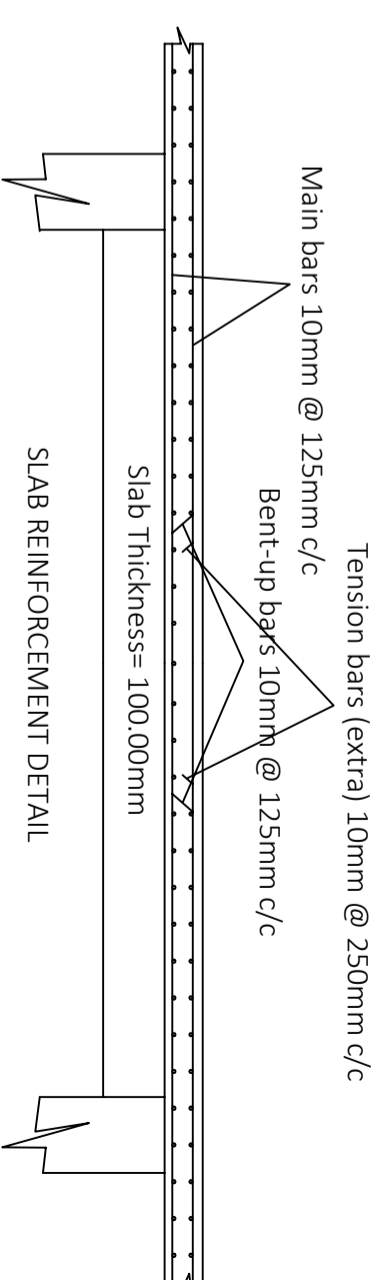
Designation	Size	Foundation to F.F	Second Floor	Third Floor
C		5-20mm & 5-16mm bars 8mm stirrups @ 125mm c/c	5-10mm & 5-16mm bars 8mm stirrups @ 125mm c/c	5-10mm & 5-12mm bars 8mm stirrups @ 125mm c/c



## Details at masonry wall Junction (vertical reinforcement bars)



## Section of Lintel/Sill band



## SPECIFICATION

1. Beam and Coulmn clear cover shall be 40mm.
2. Slab clear cover shall be 25mm.
3. Footing cover shall be 50mm.
4. Concrete mix shall be M20 ( 1:1.5:3).
- 5 Fe 415 steel grade shall be used.
6. Anchorage and lapping lenght shall be 50d, where d is the bar diameter.
7. Development length shall be  $> 47d$ , where d is the bar diameter.
8. Hooks shall be  $9d$ , where d is the bar diameter.
9. S.B.C of soil is assumed tobe 150 KN/M2.

Prepared by:

Checked by:

Countersigned by:

Approved by: